

SHERMAN Touchless



The **Sherman Touchless** pushbutton is the perfect touch-free solution to the commonly touched elevator surface. Simply hold finger over button for sensor activation. Manual button function remains to meet code requirements.

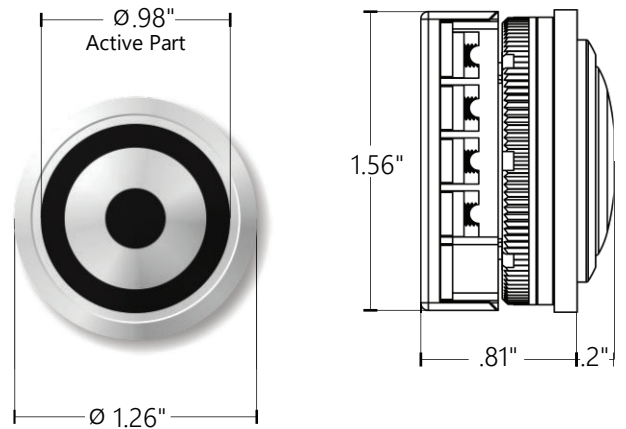
- ✓ Dual Technology: Electromechanical contact (activated by push) and proximity sensor
- ✓ Eliminates transferring germs through touched surfaces
- ✓ Perfect retrofit product for DMG/MAD buttons
- ✓ LED Illumination available in White



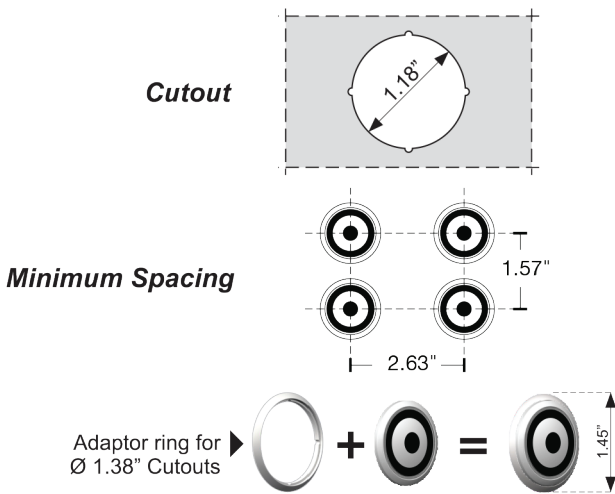
General Details

- Mounting:** Frontal, by jam-nut
- Body:** AISI 303 turned stainless steel button
- Component Ordering:** Complete Assembly, BSLVF34MW.00
- Contacts:** mechanical mode: 1 contact 30V, 60mA
touchless mode: opto relay 30V, 60mA
- Wiring:** screw terminals
- Voltage:** 24V DC, stand-by 15mA, max 50mA
- Illumination:** white
- Stroke:** 0.040"
- Avg. Life:** 1,500,000 activations
- Degree of protection:** IP44, IK07
- Cleaning:** Wipe down with mild soap and a damp cloth

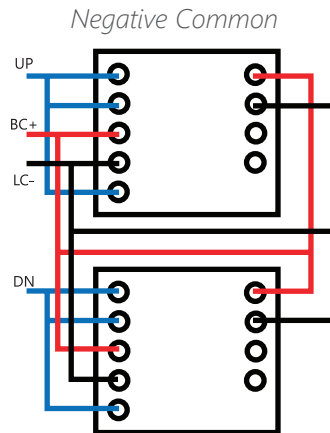
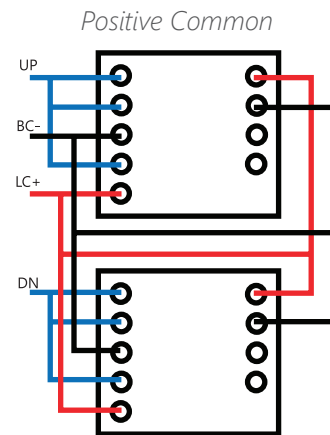
Physical Characteristics



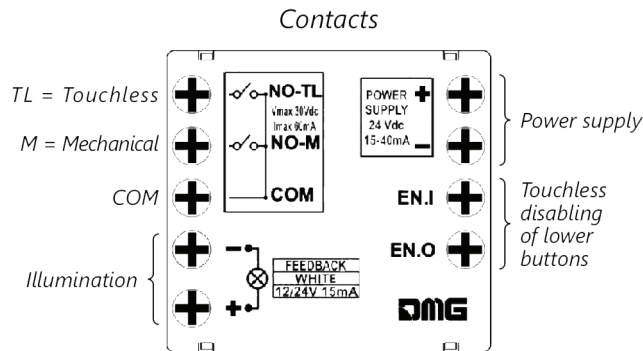
Mounting Requirements



Wiring Diagram

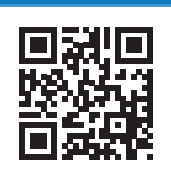


Contact Block



This publication is for general informational purposes only. Product design is subject to change without notice. Actual product colors, finishes and specifications may vary from graphical representations.

Presented by Lift Solutions Elevator on behalf of MAD Elevator Inc. Copyright © 2020 MAD Elevator Inc.



www.liftsolutions.net

Scan our QR code to learn more about our Fixtures

888.2777.8310

info@liftsolutions.net

1806 S. Lake Stevens Rd
Lake Stevens, WA 98258